



Van Nuys Awning Co.


Established 1918, Over 90 Years of Service

**Select
Stoboscope**

- ✓ AWNING
- ✓ OPEN ROLLER
- ✓ TELESCOPIC ARM

*Select-Stoboscope awning
with telescopic arm
technology*

STOBAG

Premium Swiss Quality 



Van Nuys Awning Co.

Established 1918, Over 90 Years of Service

818-782-8607 * 310-472-5262 * 323-873-3331 Fax 818-782-6837

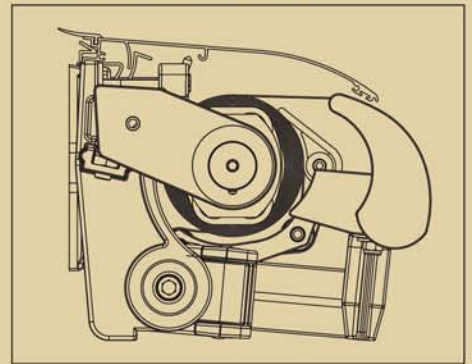
5661 SEPULVEDA BLVD., VAN NUYS, CA 91411

<http://www.vannuysawning.com/>

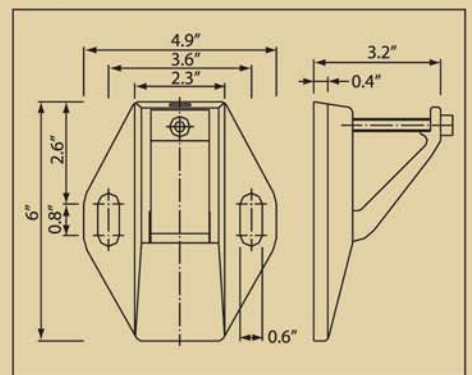


Select Stoboscope

WALL FIX REQUIRED SPACE



FIXING BRACKET



Select- Stoboscope is a compact wall mounted application with telescopic arm technology (gas pressure cylinder) for constant tensioning of the fabric at any position. The framework construction includes a hidden triangular torsion mounting bar and optional hood and side covers.

The **Select** family of retractable awnings is based on proven triangular torsion mounting bar technology. This design is combined with universal mounting brackets that enable wall or soffit installations even in restricted spaces. All **Select** models also have a convenient pitch adjustment.

An optional drop down retractable valances down to 8' for additional low angle sun protection and privacy is available at extra cost.

Automated motors and electronic comfort controls are available.

See **Select** system for standard open roller folding arm applications
See **Select Plus** for applications requiring long projection with narrow width.

PRODUCT SPECIFICATIONS

Linear Width	7'1" – 39'0"
Projections	6'6", 8'2", 9'10", 11'5"
Frame Finish	Polyester Powder Coated
Frame Colors	White  Custom Colors - <i>Upcharge</i>
Mounting Options	Wall, Soffit, Roof
Arm Type	Telescopic Arm
Roller Tube	78 mm
Pitch Adjustment	0° – 60°
Fabric Protection	Optional Hood with Side Covers
Mode Of Operation	Somfy Motor
Retractable Valance	Not Available
Fabric Options	100% Solution Dyed Acrylics
Valance Options	9 standard choices or dealer custom design
Warranty	10 years limited hardware warranty



Van Nuys Awning Co.

Established 1918, Over 90 Years of Service