



Van Nuys Awning Co.
Established 1918, Over 90 Years of Service

Select Plus

- ✓ AWNING
- ✓ OPEN ROLLER
- ✓ FOLDING ARM

Select-Plus awning with crossover arms for larger projections versus width



Premium Swiss Quality 



Van Nuys Awning Co.

Established 1918, Over 90 Years of Service

818-782-8607 * 310-472-5262 * 323-873-3331 Fax 818-782-6837

5661 SEPULVEDA BLVD., VAN NUYS, CA 91411

<http://www.vannuysawning.com/>



Select Plus

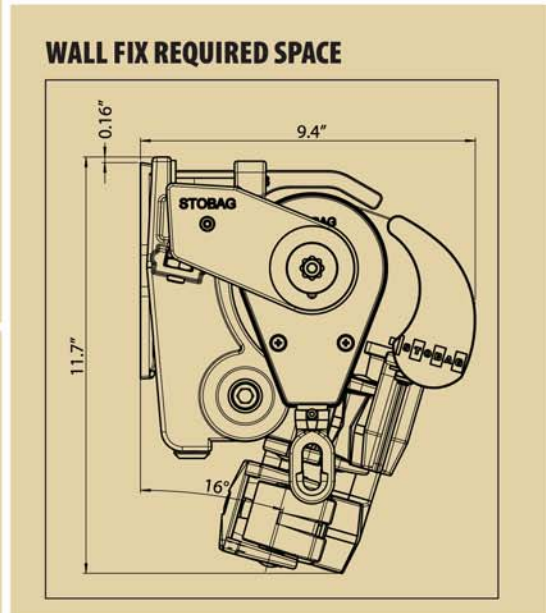
Stobag **Select Plus** is a compact awning design with crossover folding arms enabling large projection capability for narrow width applications. The framework construction includes a uniquely modified upper arm profile and shoulder for direct attachment to the triangular mounting bar.

The **Select** family of retractable awnings is based on proven triangular torsion mounting bar technology. This design is combined with universal mounting brackets that enable wall or soffit installations even in restricted spaces. All **Select** models also have a convenient pitch adjustment.

An optional drop down retractable valances down to 8' for additional low angle sun protection and privacy is available at extra cost.

Automated motors and electronic comfort controls are available.

See **Select** system for standard open roller folding arm applications



PRODUCT SPECIFICATIONS

Linear Width	4'7" – 12'0"
Projections	6'6", 8'2", 9'10", 11'5"
Frame Finish	Polyester Powder Coated
Frame Colors	White <input type="checkbox"/> Custom Colors - <i>Upcharge</i>
Mounting Options	Wall, Soffit, Roof
Roller Tube	78 mm
Torsion Bar	Triangular
Pitch Adjustment	0° - 60°
Fabric Protection	Optional Hood with Side Covers
Mode Of Operation	Manual Bevel Gear or Somfy Motor
Retractable Valance	Manual- 8' Drop
Fabric Options	100% Solution Dyed Acrylics
Valance Options	9 standard choices or dealer custom design
Warranty	10 years limited hardware warranty

Van Nuys Awning Co.
Established 1918, Over 90 Years of Service