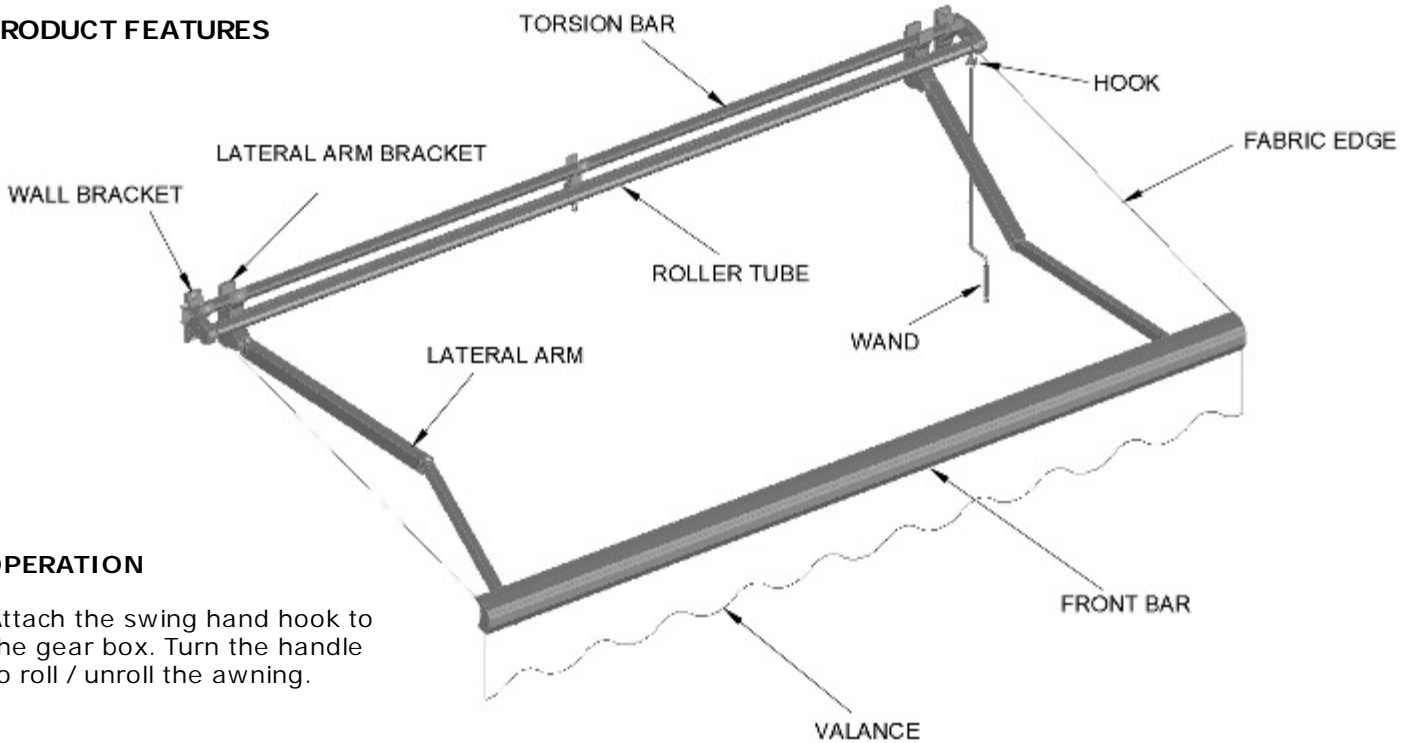


RETRACTABLE AWNING MANUAL GEAR OPERATION

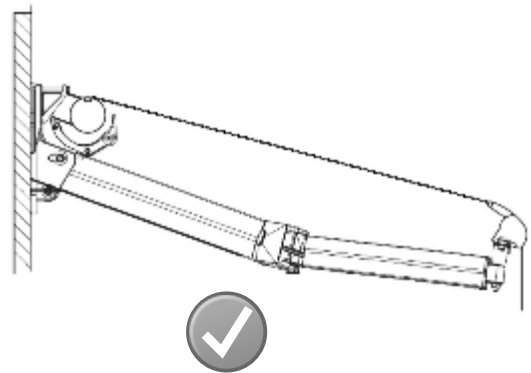
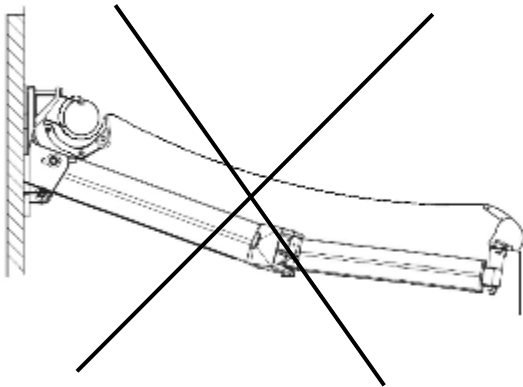
PRODUCT FEATURES



OPERATION

Attach the swing hand hook to the gear box. Turn the handle to roll / unroll the awning.

1. ENSURE THE FABRIC FEEDS FROM THE TOP OF THE ROLLER. THE FABRIC MUST NOT FEED FROM THE BOTTOM OF THE ROLLER. ONCE THE FRONT BAR HAS BEEN RETRACTED, STOP WINDING.
2. DO NOT CONTINUE UNROLLING THE MATERIAL ONCE THE ARMS ARE FULLY EXTENDED. THE FABRIC SHOULD REMAIN TAUT.



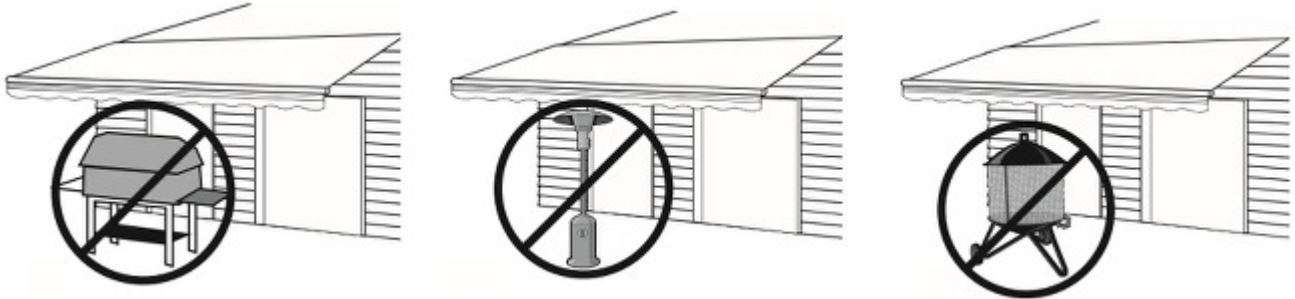
Van Nuys Awning Co.
Over 99 Years of Service

818-782-8607
323-873-3331
www.vannuysawning.com

5661 Sepulveda Blvd.
Van Nuys, CA
91411

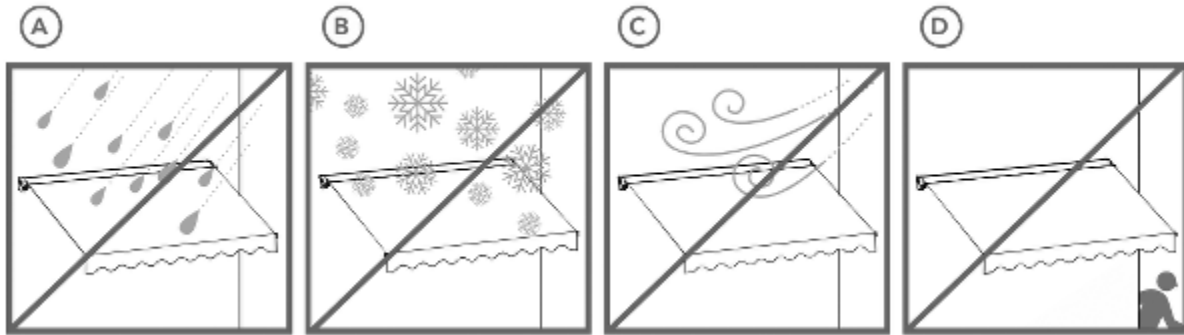
RETRACTABLE AWNING MANUAL GEAR OPERATION

GENERAL CARE AND MAINTENANCE



- 3.** NEVER USE A BARBEQUE GRILL, ANY TYPE OF PATIO HEATER OR FIREPLACE UNDER YOUR AWNING.

DOING SO COULD RESULT IN THE FABRIC BURNING OR MELTING AND COULD RESULT IN PERSONAL INJURY.



- 4.** DO NOT KEEP THE AWNING OPEN
- A. DURING RAIN
 - B. DURING SNOW
 - C. DURING STRONG WIND
 - D. WHILE YOU ARE AWAY FROM HOME



Van Nuys Awning Co.
Over 99 Years of Service

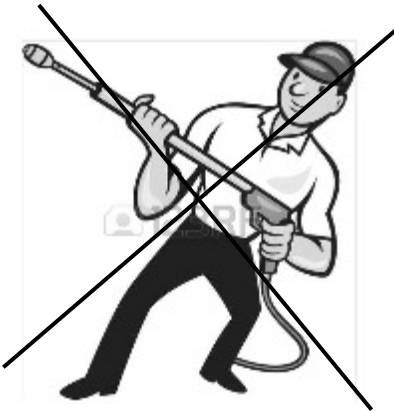
818-782-8607
323-873-3331
www.vannuysawning.com

5661 Sepulveda Blvd.
Van Nuys, CA
91411

RETRACTABLE AWNING MANUAL GEAR OPERATION



5. THE RETRACTABLE AWNING REQUIRES REGULAR MAINTENANCE. CHECK AND OIL THE GEAR BOX, HAND HOOK SHAFT AND JOINTS ONCE EVERY THREE MONTHS.
6. DO NOT USE A PRESSURE WASHER TO CLEAN MECHANISM AND THE FABRIC.
7. REPLACEMENT FABRIC COVERS ARE AVAILABLE, IF REQUIRED.
8. CHECK THE INSTALLATION AND ALL FIXINGS REGULARLY, ESPECIALLY AFTER PERIODS OF EXTENDED NON-USE.



Van Nuys Awning Co.
Over 99 Years of Service

818-782-8607
323-873-3331
www.vannuysawning.com

5661 Sepulveda Blvd.
Van Nuys, CA
91411