



**Van Nuys Awning Co.**  
Established 1918, Over 90 Years of Service

# CASABOX

- ✓ AWNING
- ✓ CASSETTE
- ✓ FOLDING ARM

*Small full cassette awning  
with slim-line design  
for the ideal architectural  
compliment*



Premium Swiss Quality 



**Van Nuys Awning Co.**

Established 1918, Over 90 Years of Service

818-782-8607 \* 310-472-5262 \* 323-873-3331 Fax 818-782-6837

5661 SEPULVEDA BLVD., VAN NUYS, CA 91411

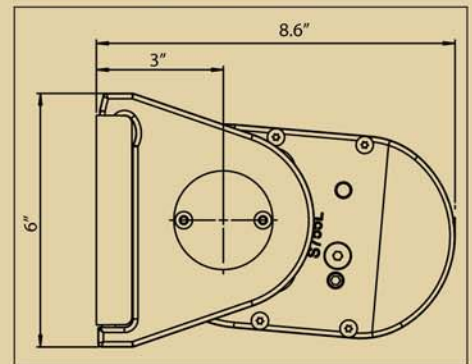
<http://www.vannuysawning.com/>



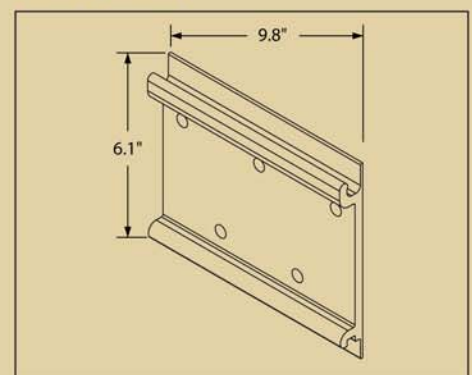


# CASABOX

## WALL FIX REQUIRED SPACE



## FIXING BRACKET



The full cassette **Casabox** folding arm awning offers a slim-line design that is the ideal architectural compliment to any home or business.

The compact dimensions of the system with a completely sealed housing makes it especially suitable for wall or soffit mounting on balconies and small patio areas.

Mounting brackets on each end of the system make the installation quick and easy. A lateral rotating mechanism allows for very steep pitch capability.

The elegant cassette with brush sealing on the top and bottom protects the awning against wind and weather when retracted thus guaranteeing a long life to the overall system.

Automated motors and electronic comfort controls are available.



## PRODUCT SPECIFICATIONS

<b>Linear Width</b>	7'6" – 16'6"
<b>Projections</b>	6'6", 8'2"
<b>Frame Finish</b>	Polyester Powder Coated
<b>Frame Colors</b>	White <input type="checkbox"/> Ivory <input type="checkbox"/> Custom Colors - <i>Upcharge</i>
<b>Mounting Options</b>	Wall, Soffit, Roof
<b>Roller Tube</b>	Folding Arm – S.S. Double Cable
<b>Torsion Bar</b>	70 mm
<b>Pitch Adjustment</b>	0 – 76 degrees
<b>Fabric Protection</b>	Full Cassette
<b>Mode Of Operation</b>	Manual Bevel Gear or Somfy Motor
<b>Retractable Valance</b>	Not Available
<b>Fabric Options</b>	100% Solution Dyed Acrylics
<b>Valance Options</b>	9 standard choices or dealer custom design
<b>Warranty</b>	10 years limited hardware warranty



**Van Nuys Awning Co.**  
Established 1918, Over 90 Years of Service